

2009 Roanoke Fall Festival Corn Bag Toss Rules

Section A. Dimensions - A Corn Bag Toss / Corn Toss court shall be a level rectangular area 10 ft wide and a minimum of 45 ft long. The court should consist of two corn platforms, designated pitchers boxes and foul lines. A north-south setting is recommended for outdoor courts to minimize the effects of the sun.

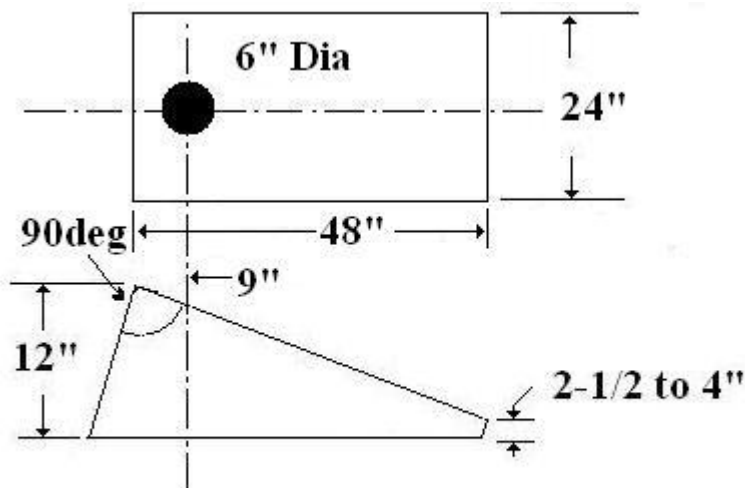
Section B. Pitcher's Box - The pitcher's box is the rectangle 4 ft by 3 ft at each end of the court, parallel and on both sides of Corn Bag Toss platforms. Each contestant must remain in the pitchers box while pitching the corn bag.

Section C. Multiple Courts - To eliminate distraction and safely separate activity, Corn Bag Toss / Corn Toss courts adjacent to each other shall be a minimum of 10 feet apart. A greater distance (at least 12 feet) is preferable.

Section D. Foul Lines - There are two sets of foul lines: (1) open adult play and (2) junior play. The open adult play foul lines shall be defined as an imaginary line 30 ft. from the beginning of the hole in the opposite Corn Bag Toss platform. For Corn Bag Toss / Corn Toss sets that meet ACA specifications, this foul line will be parallel to the front of the Corn Bag Toss platform. The junior play foul lines shall be defined as an imaginary line 21 ft. from the beginning of the hole in the opposite Corn Bag Toss platform. See the diagram below.

Section E. Covered Or Indoor Courts - The regulations for covered and indoor Corn Bag Toss / Corn Toss courts are exactly the same with the additional stipulation that they shall have a minimum 12 foot vertical clearance to the lowest possible obstruction.

RULE 2 - PLAYING EQUIPMENT - CORN BAG TOSS PLATFORMS AND BAGS



Section A. Equipment Standards - The ACA has adopted the following equipment specifications and standards for Corn Bag Toss / Corn Toss:

1. Each Corn Bag Toss platform shall be a 48" x 24" rectangle made of plywood.
2. The hole in the Corn Bag Toss platform shall be six inches in diameter and be centered nine inches from the top and 12 inches from each side of the Corn Bag Toss platform edges.
3. The front of the Corn Bag Toss platform shall be approximately 4 inches from bottom to top and be at near a 90-degree angle to the ground.
4. The back of the Corn Bag Toss platform shall be approximately 12 inches from bottom to top and be at near a 90-degree angle to the ground.
5. The Corn Bag Toss platform should have solid wood sides with the only opening to the underside of the Corn Bag Toss platform being through the hole in the Corn Bag Toss platform. Although portable fold-down platforms are acceptable (with open sides), platforms with solid wooden sides are preferred for ACA sanctioned tournament play as it is sometimes difficult (especially late in the day) to determine if a corn bag was pitched into the hole or came to rest under the Corn Bag Toss platform by being pitched through the open sides in a Corn Bag Toss platform.
6. The Corn Bag Toss / Corn Toss play surface shall be finish sanded to a very smooth texture and there shall not be any blemishes in the wood surface that might disrupt or distort play.
7. The Corn Bag Toss / Corn Toss play surface shall be painted with a high gloss latex paint resulting in a surface that allows corn bags to slide but is not so slippery that it allows the bags to slide back down the platform. The preferable color is white, but any easy to see color is acceptable for tournament play.
8. The corn bags shall be made from two fabric squares with a quarter inch double stitched seam on all four sides. The corn bags should be made from 12 oz / sq yd duck canvas and may be any color that is easy to see during Corn Bag Toss play. Each bag shall be filled with approximately 2 cups of corn feed and finished bags should be a minimum of 6" X 6" square and weigh between 14 and 16 ounces.

RULE 3 - PITCHING DISTANCES

All open contestants shall pitch from the pitcher's box behind the 30 foot foul lines. Physically impaired adults or seniors may, if agreed by all contestants, observe the 21 foot foul lines.

RULE 4 – CORN BAG TOSS COURT PREPARATION AND MAINTENANCE

Section A. Court Maintenance - Every effort shall be made to keep the Corn Bag Toss / Corn Toss play surface in perfect playing condition. Corn Bag Toss / Corn Toss courts should be free of anything that might distract a contestant during play. Each contestant is responsible for making sure the court is in good playing condition prior to starting the match. During a match, a contestant shall not be allowed to alter the Corn Bag Toss / Corn Toss court in any manner without the consent of the opponent or a tournament official.

Section B. Distractions During Play - Every effort shall be made to keep from distracting contestants during Corn Bag Toss / Corn Toss play. Drinks and other personal belongings should be placed behind the Corn Bag Toss platform in designated beverage holders or other secure locations to keep from distracting contestants.

RULE 5 - PLAY OF THE GAME

Section A. Singles Or Doubles Play - Corn Bag Toss / Corn Toss can be played as doubles or singles. In doubles play two contestants are partners against another team of two contestants; in singles play a contestant competes against another contestant. In doubles play, one member of each team pitches from one Corn Bag Toss platform and the other members pitch from the other Corn Bag Toss platform. In singles play, both contestants pitch from the same Corn Bag Toss platform. All other rules are basically the same for doubles or singles play.

Section B. Innings - Every Corn Bag Toss / Corn Toss match is broken down into innings of play. During each inning of play each contestant must pitch all four corn bags. An inning will be considered complete when all four participants have pitched all four of their corn bags. A half-inning will be considered complete when both participants at one end of the court have pitched all four of their corn bags.

Section C. Value Of The Corn Bag -

1. Corn Bag In-The-Hole - A corn bag in-the-hole (or Hole-In) is a corn bag which is thrown through the hole in the Corn Bag Toss platform or otherwise comes to rest inside the Corn Bag Toss platform (knocked in by another player or an act of God). A corn bag in-the-hole has a value of three points.

2. Corn Bag In-The-Count - A corn bag that is not in-the-hole but lands with any portion of the corn bag resting on the Corn Bag Toss platform is in-the-count. A corn bag in-the-count has a value of one point. For a corn bag to be in-the-count, it must not touch the ground or any other portion of the court prior to coming to

rest on the Corn Bag Toss platform. If a corn bag touches the ground before coming to rest on the Corn Bag Toss platform, it is a foul and must be removed from the Corn Bag Toss platform prior to the continuation of play.

3. Corn Bag Out-Of-The-Count - A corn bag which comes to rest anywhere except in-the-count or in-the-hole is out-of-the-count and has no scoring value. A corn bag which is declared to be a foul is considered to be out-of-the-count (no matter where it comes to rest) and must be removed from the Corn Bag Toss surface prior to the continuation of play.

Section D. Delivery Of Corn Bags -

1. In doubles play, the first side of contestants alternate pitching corn bags until they have thrown all four corn bags, then the remaining contestant (pitching from the other Corn Bag Toss platform) continue to alternate in the same manner until all four corn bags are delivered and the inning completed. Delivery in singles play is handled in the same manner (but from the same platform) with each of the two contestants alternating their pitching of corn bags until all four corn bags have been pitched completing the inning.

2. A contestant may deliver the corn bag from either the left or right pitchers box (see above) but, in any one inning, all corn bags must be delivered from the same pitcher's box. A contestant shall pitch the entire tournament with the same hand or arm, except in the case of a medical emergency.

3. Each individual contestant shall deliver the corn bag within 20 seconds. The time shall start when the contestant steps onto the pitcher's box with the intention of pitching.

Section E. Pitching Rotation During The Game - The contestant who scored in the preceding inning shall pitch first in the next inning. If neither pitcher scores, the contestant who pitched second (last) in the preceding inning shall pitch first in the next inning.

Section F. Position Of Contestants During Delivery -

1. The pitcher must maintain constant contact with the designated pitcher's box (See diagram above) during the entire address and release of the corn bag. The opponent, while not pitching, shall stand behind the Corn Bag Toss platform at least 2 feet to the rear of the contestant who is pitching.

2. If both contestants use the same pitchers box to deliver their corn bags, the contestant pitching first should cross over to the other pitchers box in front of the Corn Bag Toss platform and then move to the proper position. (see #1 above) As the first contestant is crossing in front the second contestant should be crossing over in back and mounting the pitchers box from the rear. If both contestants use

opposite pitchers boxes, the contestant who pitches first should step directly back to the proper position described in #1 of this section.

Section G. Foul Corn Bags - A foul corn bag is a corn bag which was delivered in non-compliance with one of the rules of the game. It scores as a corn bag out of the count and is to be removed from the Corn Bag Toss / Corn Toss court before any more corn bags are pitched. Corn bags already in the court that have been knocked into foul territory by a foul corn bag should be returned to the scoring area. Additionally, corn bags that are in the count, but are knocked into the hole by a foul corn bag must be returned to their original scoring position.

1. The following are rule violations that must be spotted and called by a contestant or assigned judge. The penalty is to declare the corn bag a foul corn bag, which requires the corn bags to be removed from the court prior to resuming play.

(a) Any corn bag pitched when the contestant has made contact with or crossed over the foul line before the corn bag is released.

(b) Except as provided above, any corn bag pitched when the contestant has started or stepped completely outside the pitching box before releasing the corn bag.

(c) Any corn bag not delivered within the twenty second time limit.

(d) A corn bag pitched from a different pitchers box than the first corn bag.

(e) Any corn bag that contacted the court or the ground before coming to rest on the Corn Bag Toss platform.

(f) Any corn bag which struck a previously defined object such as a tree limb, wire, indoor court ceiling, etc.

(g) Any corn bag that leaves a contestant's hand once the final forward swing of the delivery process has started shall count as a pitched corn bag. A corn bag that is accidentally dropped by a contestant before the final forward swing has started shall not be considered foul and may be picked up and pitched.

2. A contestant's corn bags shall be called foul if the contestant removes any corn bag before the scoring of that corn bag has been agreed upon. A judge shall be called if a decision cannot be reached. The judge shall determine the scoring for the inning.

Section H. Protests - If a contestant desires to make a protest, the protest shall be made to the judge or tournament official at the time the problem occurs. The tournament judge shall make the final ruling on all protests.

RULE 6 - LENGTH OF THE GAME

Section A. Point Limits - The Corn Bag Toss / Corn Toss match shall be played until the first team of contestants reaches (or exceeds) 21 points at the completion of an inning or half inning. The winning team does not need to win by two or more points.

Section B. The Inning Need Not Be Finished - The Corn Bag Toss / Corn Toss match can end at the half inning point. Thus, when a team reaches or exceeds 21 points, the game will end once the other participant at that end of the court has completed their pitches. The game will always end at either the half inning or full inning mark.

RULE 7 – SCORING

Section A. Cancellation Scoring - In cancellation scoring, corn bags in-the-hole and corn bags in-the-count pitched by opponents during an inning or half of an inning in doubles play cancel each other out. Only non-cancelled corn bags are counted in the score for the inning.

1. Corn Bags In-The-Hole – Hole-ins (HI's) cancel each other. A corn bag in-the-hole of one contestant shall cancel a corn bag in-the-hole of his competitor and those corn bags shall not score any points. Any non-cancelled corn bag in-the-hole scores three points.

2. Corn Bags In-The-Count – Corn bags in-the-count cancel each other. A corn bag in-the-count of one contestant shall cancel a corn bags in-the-count of the opponent and those corn bags shall not score any points. Any non-cancelled corn bags in-the-count score one point each.

Section B. Score Calculation - Cancellation scoring may be easily calculated as follows:

1. The points of both contestants are calculated for hole-ins and in-the-count corn bags.

2. The points of the lowest scoring contestant for hole-in corn bags are subtracted from the points of the highest scoring contestant for hole-in corn bags. The result is the hole-in score for the highest scoring contestant. The hole-in score for the lowest scoring contestant is zero.

3. The points of the lowest scoring contestant for in-the-count corn bags are subtracted from the points of the highest scoring contestant for in-the-count corn

bags. The result is the in-the-count score for the highest scoring contestant. The in-the-count score for the lowest scoring contestant is zero.

3. The hole-in score for each contestant is added to the in-the-count score for each contestant to derive the recorded score for the inning.

4. In this manner hole-in and in-the-count corn bags from each contestant or team of contestants are cancelled out and only non cancelled corn bags are counted in the score.